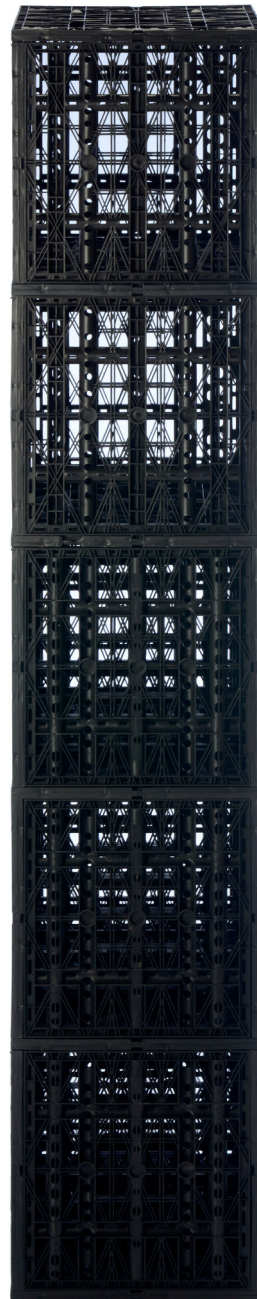
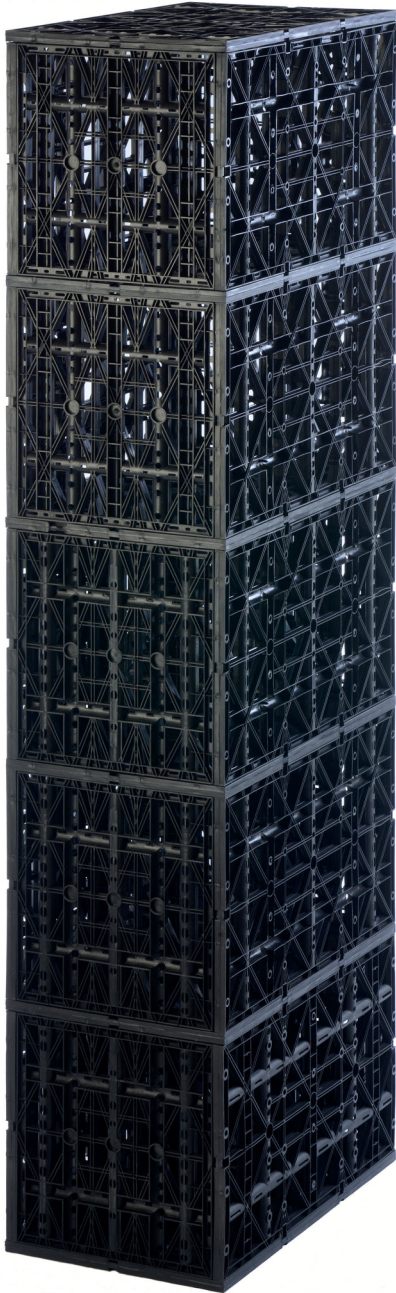
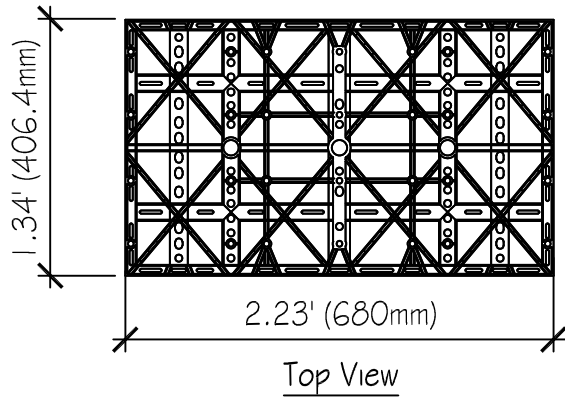


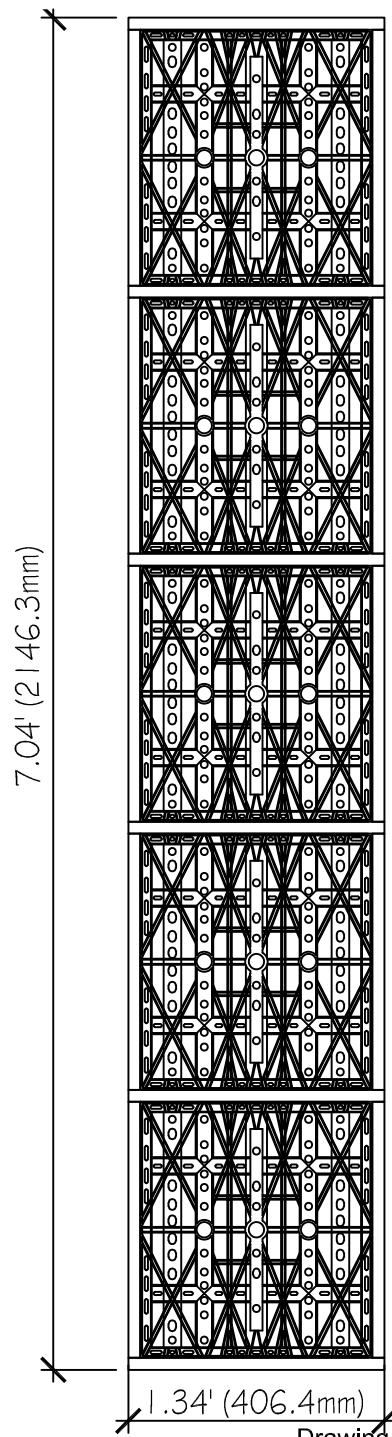
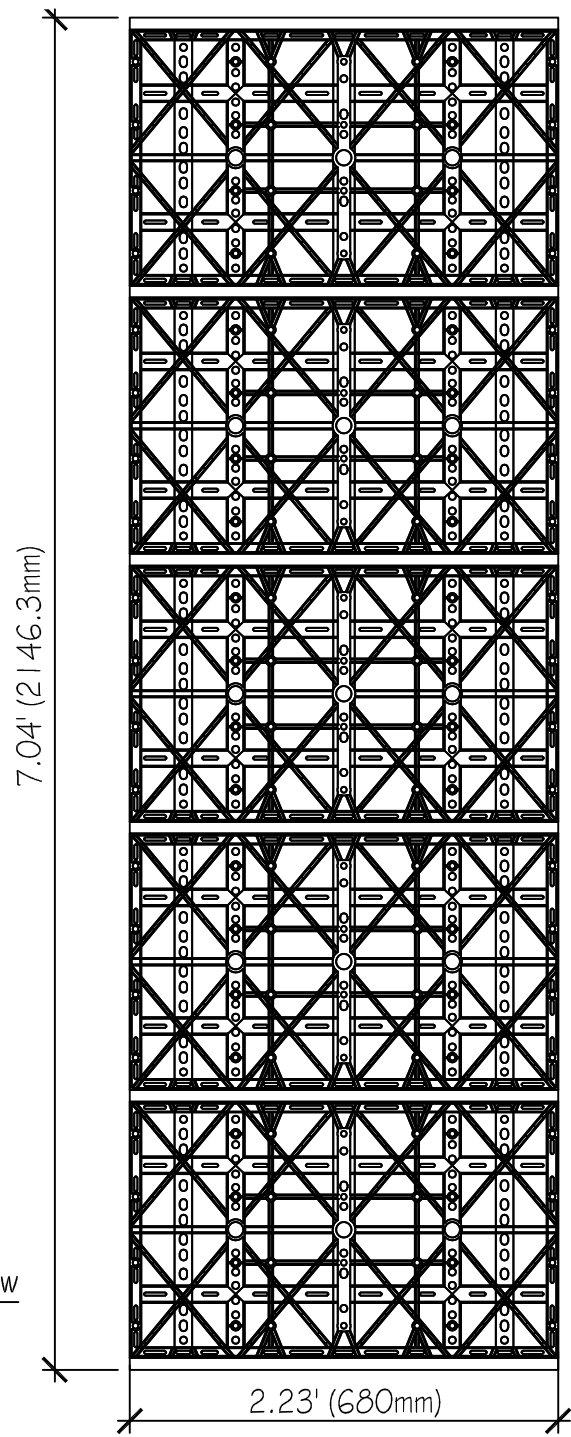


# EcoRain Pent Tank





Front View



Side View

EcoRain Pent Tank  
 Ecorain Tank Systems  
[www.ecoraintank.com](http://www.ecoraintank.com)

Drawing No.: Pent Tank  
 NOT TO SCALE  
 5/14/23

*Ecorain Products & Systems are worldwide patent pending & design registered*

Disclaimer: All information provided in this publication is correct to the best knowledge of the company and is given out in good faith. This information is intended only as a general guide, no responsibility can be accepted for any errors, omissions or incorrect assumptions. As each project is unique and as Ecorain Tank Systems of America Inc. and its distributors and agents world-wide have no direct control over the methods employed by the user in specifying, installing or supervising of its products hence no responsibility is accepted by Ecorain Tank Systems of America Inc. and its distributors and agents world-wide. Users should satisfy themselves as to the suitability of the product for their purpose.

# ECORAIN PENT TANK SPECIFICATION SHEET



Smith-Emery Laboratories  
Report No. L-11-336

ICC Approved Report ESR-3356 (Formally Approved LA City Research Report #5654)

<b>SIZE</b>	1.34' wide x 2.23' long x 7.00' tall	16.06" x 26.76" x 84.00"	408mm x 680mm x 2133.6 mm
<b>VOLUME</b>	20.28 ft <sup>3</sup>	151.70 gallons	.574 m <sup>3</sup>

TEST	Standard Used	Imperial	Metric
<b>Ultimate Load - H 25 Load Rated</b>	AASHTO LRFD		
<b>Displacement</b>		.433"	11 mm
<b>Temperature Parameter</b>		46.4° - 57.2° F	8° - 14° C
<b>Module Void Storage Area</b>		97% - 20.28 Cubic Feet Storage	
<b>Surrounding Gravel Storage Area</b>		40%	
<b>Material</b>		100% Recycled Polypropylene	
<b>Biological &amp; Chemical Resistance</b>		Unaffected by moulds, algae, soil-borne chemicals, bacteria & bitumen	
<b>Temperature Tolerance</b>		-22° to 248° F	-30° to 120° C
<b>Flow Rate</b>	ASTM D4716	.671 f <sup>3</sup> /second	.019 m <sup>3</sup> /second

**NOTE:** ECORAIN PRODUCTS & SYSTEMS ARE WORLDWIDE PATENT PENDING & DESIGN REGISTERED.

**Safety Factors:** Engineers, designers and geotechnical engineers should design and calculate safety factors to a serviceable limited state to suit specific project. If in doubt, consult distributor.

**Disclaimer:** All information provided in this publication is correct to the best knowledge of the company and is given out in good faith. This information is intended only as a general guide, no responsibility can be accepted for any errors, omissions, or incorrect assumption. As each project is unique, and as EcoRain Tank Systems of America and its distributors and agents world-wide have no direct control over the methods employed by the user in specifying, installing, or supervising of its products hence no responsibility is accepted by EcoRain Tank Systems and its distributors and agents world-wide. Users should satisfy themselves as to the suitability of the product for their purpose.



EcoRain Tank Systems of America, Inc.

[contact@ecoraintank.com](mailto:contact@ecoraintank.com)

1-818-501-0424

[www.ecoraintank.com](http://www.ecoraintank.com)



## DIMENSIONS CHART

**BURIED IN A LANDSCAPE AREA – AASHTO H-20 LOAD CAPACITY – FOUR SMALL PLATES/UNIT  
PLATES NEEDED FOR ASSEMBLY**

Tank Units	Size in Feet	97% Water Storage Cubic Feet	ET-1506 Large Plates	ET-1507 Small Plates	ET-1508 Large Half Plates	ET-1509 Small Half Plates
Half	1.34' w x 2.23' l x .8' h	2.31	2	-	2	4
Single	1.34' w x 2.23' l x 1.45' h	4.20	4	4	-	-
Single + Half	1.34' w x 2.23' l x 2.19' h	6.34	5	4	2	4
Double	1.34' w x 2.23' l x 2.84' h	8.22	7	8	-	-
Double + Half	1.34' w x 2.23' l x 3.58' h	10.37	8	8	2	4
Triple	1.34' w x 2.23' l x 4.23' h	12.26	10	12	-	-
Triple + Half	1.34' w x 2.23' l x 4.96' h	14.37	11	12	2	4
Quad	1.34' w x 2.23' l x 5.61' h	16.26	13	16	-	-
Quad + Half	1.34' w x 2.23' l x 6.35' h	18.40	14	16	2	4
Pent	1.34' w x 2.23' l x 7.00' h	20.28	16	20	-	-

**BURIED IN A VEHICLE AREA – AASHTO H-25 LOAD CAPACITY – FIVE SMALL PLATES/UNIT  
PLATES NEEDED FOR ASSEMBLY**

Tank Units	Size in Feet	97% Water Storage Cubic Feet	ET-1506 Large Plates	ET-1507 Small Plates	ET-1508 Large Half Plates	ET-1509 Small Half Plates
Half	1.34' w x 2.23' l x .8' h	2.31	2	-	2	5
Single	1.34' w x 2.23' l x 1.45' h	4.20	4	5	-	-
Single + Half	1.34' w x 2.23' l x 2.19' h	6.34	5	5	2	5
Double	1.34' w x 2.23' l x 2.84' h	8.22	7	10	-	-
Double + Half	1.34' w x 2.23' l x 3.58' h	10.37	8	10	2	5
Triple	1.34' w x 2.23' l x 4.23' h	12.26	10	15	-	-
Triple + Half	1.34' w x 2.23' l x 4.96' h	14.37	11	15	2	5
Quad	1.34' w x 2.23' l x 5.61' h	16.26	13	20	-	-
Quad + Half	1.34' w x 2.23' l x 6.35' h	18.40	14	20	2	5
Pent	1.34' w x 2.23' l x 7.00' h	20.28	16	25	-	-

*ET-1506 Large Plate: 26 3/4" x 16 1/8" / ET-1507 Small Plate: 14 1/4" x 15 3/4"  
ET-1508 Large Half Plate: 26 3/4" x 8" / ET-1509 Small Half Plate: 14 1/4" x 8" / Plate Depth: 3/4"*

**ET-1301 EcoRain 1" Cell - 1" x 19.70" x 23.6" = 3.23 square feet - .27 cu ft/.22 cu ft void at 80%**  
**ET-1401 Ecovoid 2" Cell - 2" x 11.75" x 19.4" = 1.59 square feet - .28 cu ft/.24 cu ft void at 87.6%**

Product layouts and estimates available: Send email to [contact@ecoraintank.com](mailto:contact@ecoraintank.com) or call 818.501.0424 #1  
 Conceptual layouts available on [www.caddetails.com](http://www.caddetails.com)